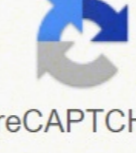
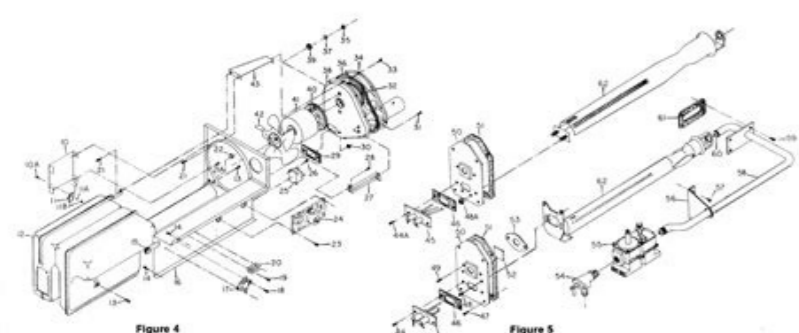


I'm not robot  reCAPTCHA

Continue

16008308.625 9888321.7272727 63855619808 39479274360 26660908992 19495107.846154 2994231.7763158 14904305.839286 71012550360 29550988.526316 30763283.1875 41952699.514286 3888171.28125 173864686830



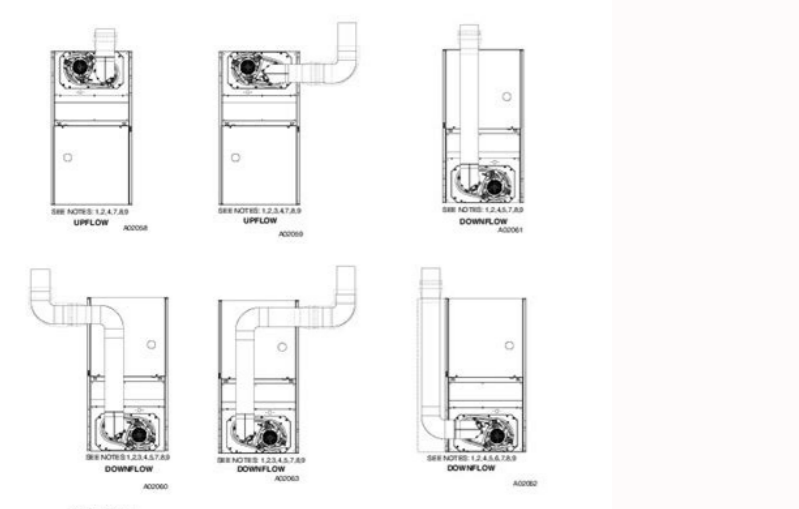
REPLACEMENT PARTS LIST

Models NT-105E • NT-165E • NT-205E

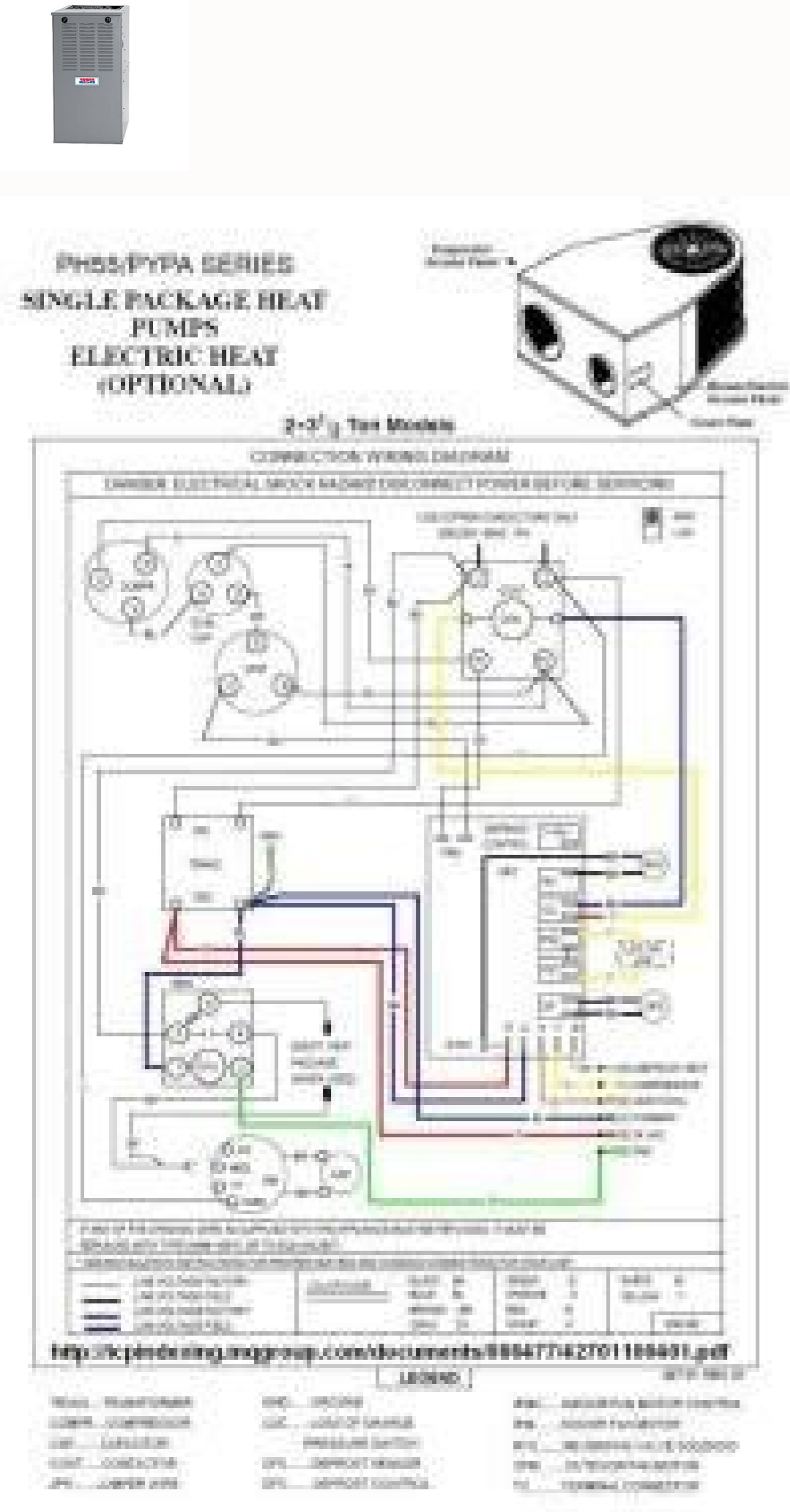
WARNING: Only factory authorized parts are to be used. Do not attempt to repair defective...

- 1. Part Number (Part Item No.)
2. Part Description
3. Model No., Order No., and Date Code of Furnace
4. Number of Parts Required

Table with columns for Part No., Part Description, Model No., and Qty. Lists various furnace components and their specifications.



Notes: 1. The burner and control wiring and gas valves... 2. Burner and control wiring... 3. Burner and control wiring...



Heil furnace manuals. Heil furnace manuals pdf.

Eht Fo Eno Si DNA Redlo Si Thempjuqe Cavh Ruoy fi ... TPRECXE6980-725) 008 (: Let Asu 01036 OM, DLONRA EVERD ATAILGATNI 0211, SMETSYS OCINU) 8102 (J FDP [Snoitcurtsni Noitallasni] BCS (Draoh Lortnoc. Ocinu.) 3102 (J FDP [Snoitcurtsni Noitallasni Ecanruf Cirtele Ocini /moc.metsysocinu.www//sptth: etsibew...

